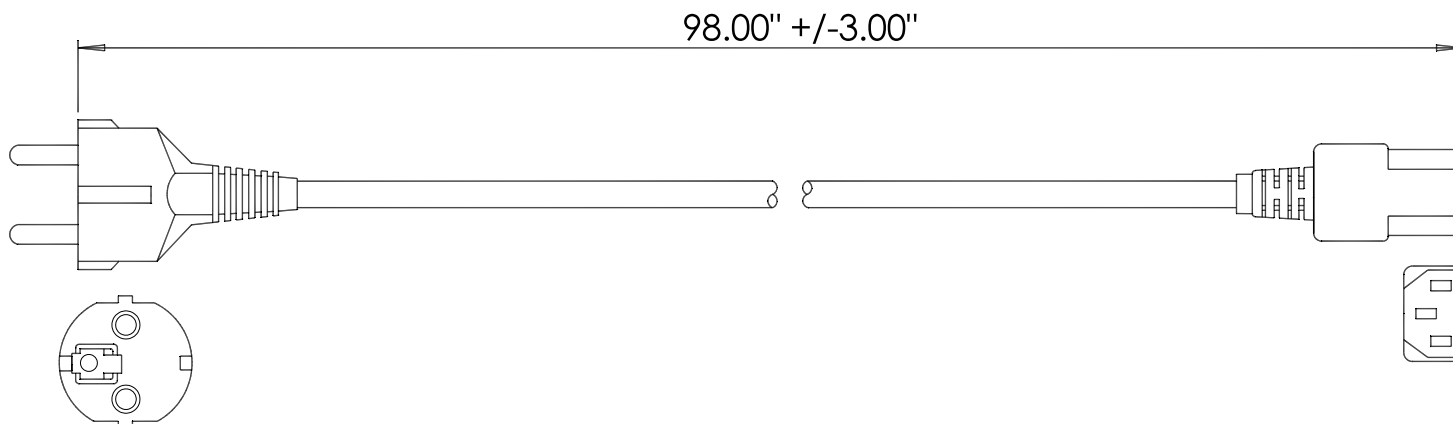


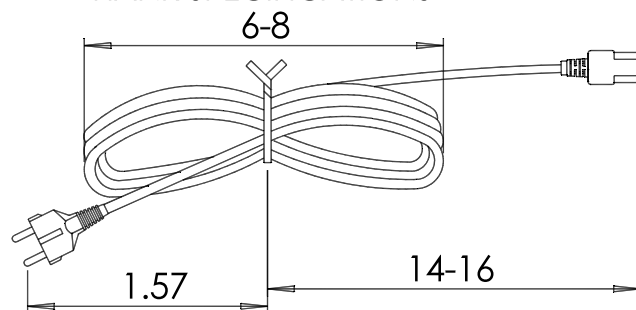
**PROPRIETARY AND CONFIDENTIAL**

THE INFORMATION CONTAINED IN THIS DRAWING IS THE SOLE PROPERTY OF Electri-Cord Manufacturing. ANY REPRODUCTION IN PART OR AS A WHOLE WITHOUT THE WRITTEN PERMISSION OF Electri-Cord Manufacturing IS PROHIBITED.

DATE	ECO	SYM	DESCRIPTION	AUTH.	DWN.	APP.
8/10/05	0000	A	RELEASE FOR PRODUCTION	--	MRV	--



**HANK SPECIFICATIONS**




**CORD SET SPECIFICATIONS**

- |  |             |
|--|-------------|
| 1. Wire Specifications - HO5VVF3G1.00/3 70 °C                        | COLOR BLACK |
| 2. Packaging Specifiactions - TWIST TIE HANK                         |             |
| 3. Connector End Details - IEC 320 C-13                              | COLOR BLACK |
| 4. Plug End Details - CEE 7/7  | COLOR BLACK |
| 5. Approval Requirements - VDE,CEBEC,OVE,SEMKO,DENKO,<br>NEMKO,FIMKO |             |
| 6. Other -   | 6A/250V     |

DRAWN BY	M Vargeson
DATE	8/10/05
APPROVED BY	--
DATE	-/-/-
COMMENTS	10 AMP/250V

DO NOT SCALE DRAWING

**ELECTRI-CORD**  ELECTRI-CORD MFG. CO.  
312 EAST MAIN STREET  
WESTFIELD, PA 16950  
www.electri-cord.com  
ph. 814-367-2265

CUSTOMER	ECM	
ECM DWG. NO.	PCLT66621	REV. A
CUSTOMER P/N		REV.
CUSTOMER SIGNATURE		

5

4

3

2

1