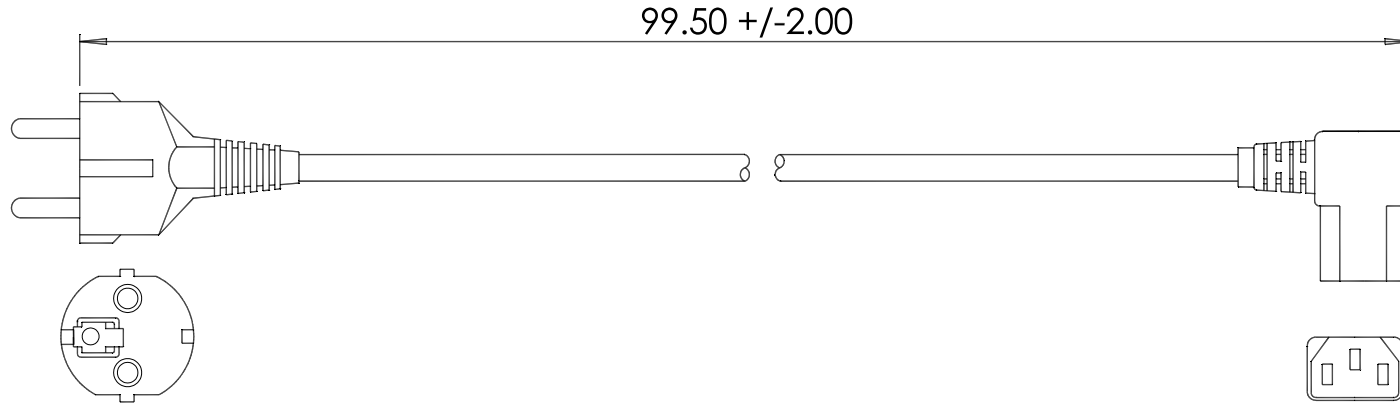


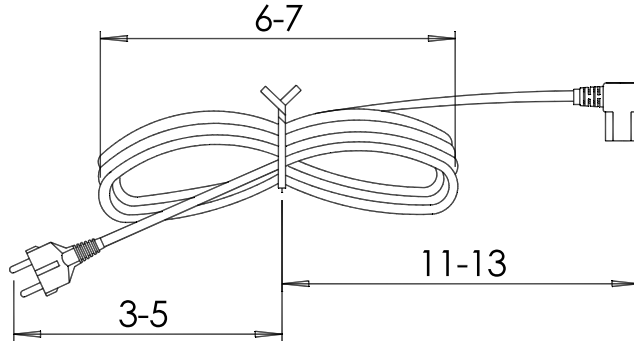
PROPRIETARY AND CONFIDENTIAL

THE INFORMATION CONTAINED IN THIS DRAWING IS THE SOLE PROPERTY OF Electri-Cord Manufacturing. ANY REPRODUCTION IN PART OR AS A WHOLE WITHOUT THE WRITTEN PERMISSION OF Electri-Cord Manufacturing IS PROHIBITED.

DATE	ECO	SYM	DESCRIPTION	AUTH.	DWN.	APP.
6/9/05	0000	A	RELEASE FOR PRODUCTION	--	ERR	--




HANK SPECIFICATIONS



CORD SET SPECIFICATIONS

1. Wire Specifications - 1.0/3 HO5VVF 70 °C	COLOR BLACK	DRAWN BY E ROOT
2. Packaging Specifications - TWIST TIE AND HANK		DATE 6/9/05
3. Connector End Details - LS-60L	COLOR BLACK	APPROVED BY --
4. Plug End Details - LP-34B	COLOR BLACK	DATE -/-/-
5. Approval Requirements - VDE,OVE,FIMKO,NEMKO,DEMKO,CEBEC,SEMKO		COMMENTS 10 AMP/ 250 V
6. Other - --		DO NOT SCALE DRAWING

ELECTRI-CORD 

ELECTRI-CORD MFG. CO.
312 EAST MAIN STREET
WESTFIELD, PA 16950
www.electri-cord.com
ph. 814-367-2265

CUSTOMER	ECM	
ECM DWG. NO.	PCLT63167	REV. A
CUSTOMER P/N	----	REV. -
CUSTOMER SIGNATURE		